

Stereo VideoMic

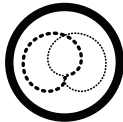


The Stereo VideoMic X is the ultimate stereo microphone for on-camera use. It delivers an accurate and detailed stereo audio that is ideal for recording everything from environmental ambience to musical performances and boasts an expansive feature set for superior flexibility in the field.

- Acoustically matched true condenser capsules
- Rycote® Lyre onboard shock mounting
- Balanced professional XLR output
- Heavy-duty, lightweight aluminium construction
- High Pass Filter
- 9V or Phantom Power (P48 - via miniXLR)
- Level adjustment
- High Frequency Boost
- Included pop shield and wind shield (not shown)
- 10 Year Warranty*



BROADCAST
QUALITY



X/Y STEREO
RECORDING



TRUE CONDENSER
CAPSULE



ACOUSTIC & ELECTRICAL SPECIFICATIONS

Acoustic Principle:	Pressure Gradient
Polar Pattern:	Cardioid
Frequency Rate:	40Hz ~ 20kHz
Frequency Range (High Pass Filter):	0, 75, 150Hz
Variable Level:	-10, 0, +20dB
Output Impedance:	200Ω
Signal to Noise Ratio:	82 dBA SPL (as per IEC651)
Equivalent Noise:	12 dBA SPL (as per IEC651)
Maximum SPL:	143dB SPL
Sensitivity:	-32 dB re 1V/Pa (25mV @ 94dB SPL) ± 2dB @ 1kHz
Dynamic Range:	131 dB SPL
Power Requirements:	9V alkaline battery or P48 (via miniXLR)
Output Connection (Unbalanced):	3.5 Stereo mini jack plug, Tip – left channel, Ring – right channel
Output Connection (Balanced) †:	Mini XLR (TA3F style connector) Pin 1 (Ground), Pin 2 (+), Pin 3 (-)



MECHANICAL SPECIFICATIONS

Battery Life:	30 hours
Weight (No Battery):	300g
What's in the box:	Stereo VideoMic X SC2 Windfur Windshield

WHATS IN THE BOX



Stereo VideoMic X



SC2

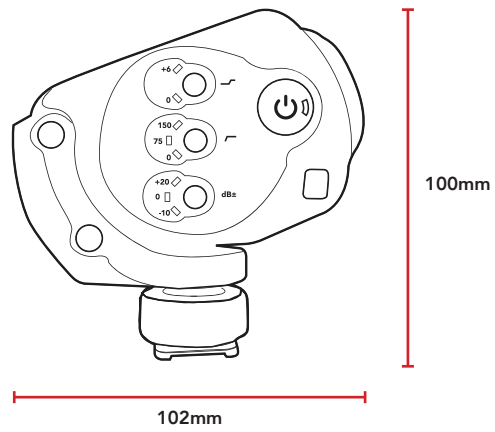
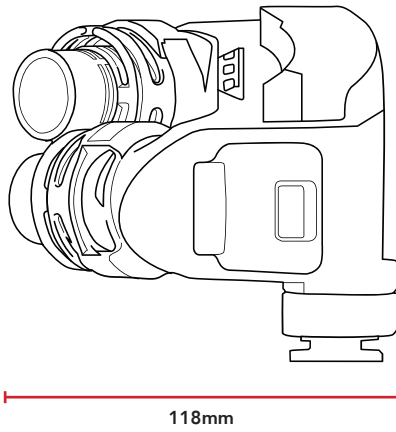


Windshield

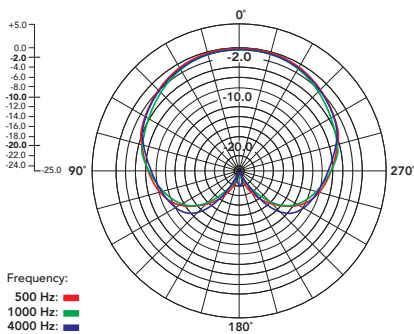


Windfur

DIMENSIONS



POLAR PATTERN



FREQUENCY RESPONSE

